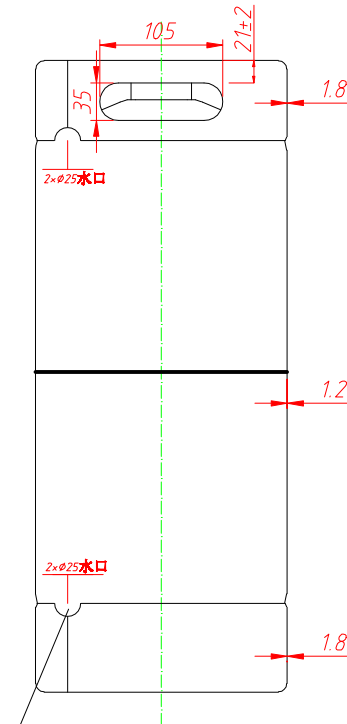
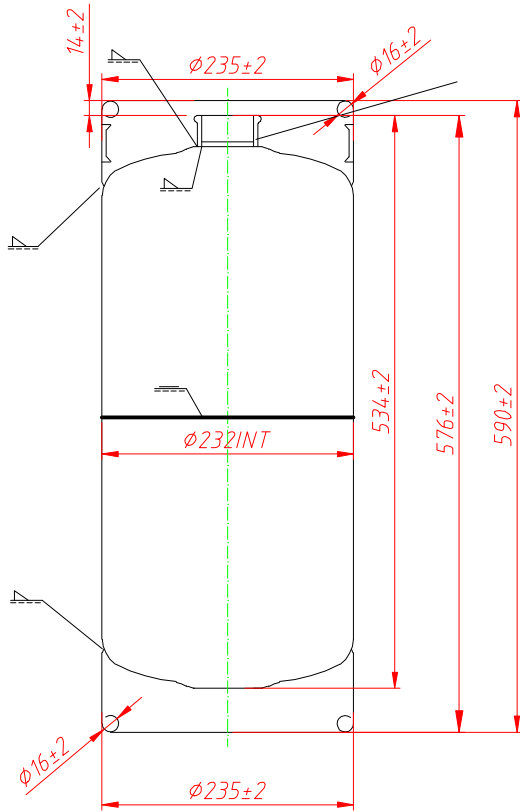
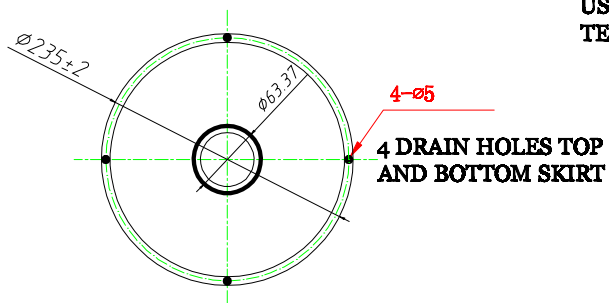


JY-



2 DRAIN HOLES R12 180°DISPLACED

**CAPACITY: 19.8±0.2LTS**  
**WEIGHT: 6.2±5%KGS**  
**MATERIAL: SUS304-2B**  
**KEG PICKLED AND PASSIVATED**  
**NECK: DROP IN**  
**USAGE PRESSURE: ≤0.3MPa(45PSI)**  
**TEST PRESSURE: ≤0.6MPa(85PSI)**



Standard Kegs LLC  
[info@standardkegs.com](mailto:info@standardkegs.com)  
[www.standardkegs.com](http://www.standardkegs.com)

1/6 USA			
Unit	MM	Weight	6.2±5%Kg
Proportion	1:6	Volume	19.8L
Material	SUS 304 / 1.4301		